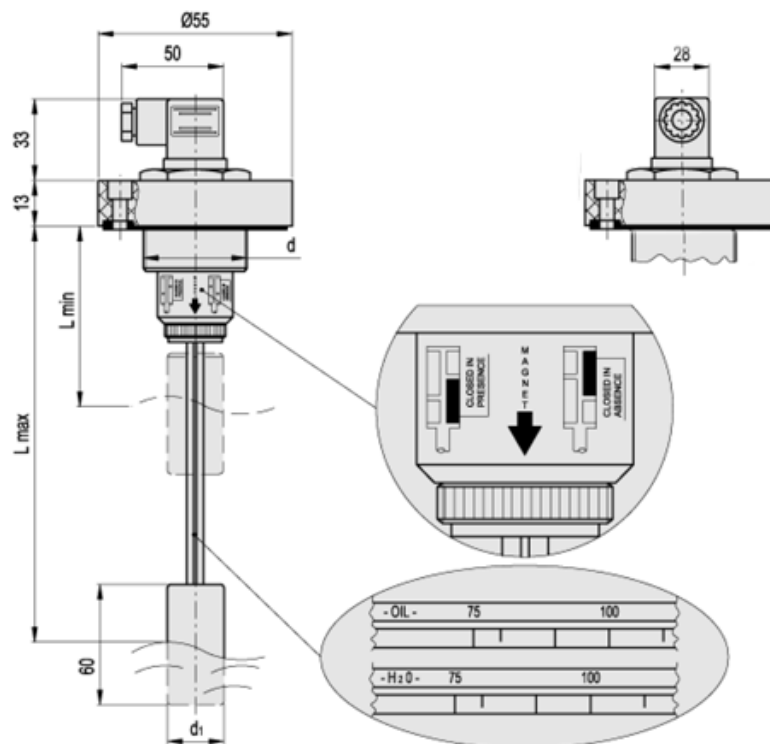


Article number: 2311111276

Description: E+G Level indicator / flange/thread  
HFLT-E+3F-3/4+a L=250 mm / min 75 mm

## Measures



d	= G 3/4
d1	= 23
Electric Contact	= NO Normally open / NC Normally closed
Length max	= 250
Length min	= 75
Note	= See data-sheet under Documents
Voltage	= 100VDC 150VAC 1A 10W 10VA
Weight (g)	= 110